

ComRent International

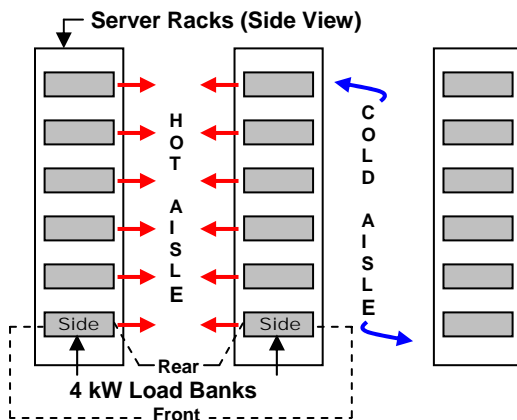
LOAD BANK RENTALS AND SALES

4 kW Rack Mountable Load Bank for Data Centers

- A tool to assist engineers and data center facility managers on server placement in data rooms — 4 kW or 2 kW of power
- Modular load banks are rack mountable for direct substitution of a computer, data switch, modem bank or server
- Load Banks can be assembled for 1–24 kW rack simulation
- Multiple racks create an exact heat and power simulation of the data/communication areas
- Great for testing individually cooled rack designs
- Blanking panels provided to prevent re-circulation within the cabinet or less-than-full rack



4 kW Rack Mounted Load Banks In Data Center



4 kW Rack Mounted Load Banks have a 2 kW load step. Cool air from the “Cold Aisle” is drawn from the front and hot air is discharged through the back. Units are equipped to handle any style of plug connection. 208 & 120 VAC. 23³/₄” L (22” deep rack mounted) x 19” W x 8³/₄” (5U) H. 40 lbs. Available exclusively from ComRent International.